



Pipe Joining Products & Solutions with Integrity

To build quality piping systems that are efficient, reliable and safe, you need pipe joining products & solutions with unparalleled integrity.

Georg Fischer Central Plastics is a global leader providing pipe joining products & solutions to the leading utilities and corporations around the world.

+GF+

+GF+

GEORG FISCHER CENTRAL PLASTICS

CUSTOM FABRICATED FITTINGS



INTEGRITY IS CENTRAL™

Water & Waste Water

Gas Distribution

Oil & Gas Gathering

Industrial

Geothermal



INTEGRITY IS CENTRAL™

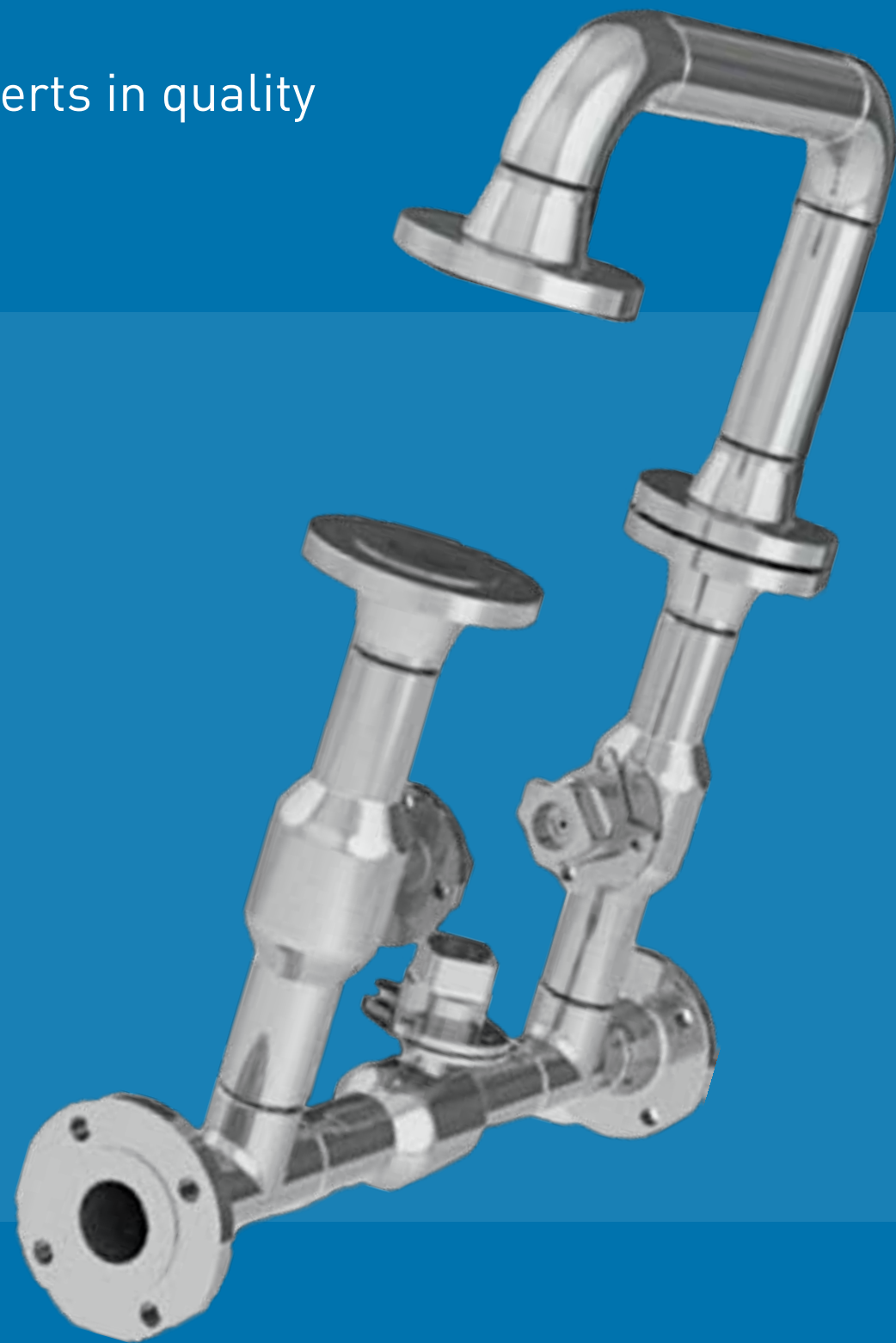
GEORG FISCHER CENTRAL PLASTICS

Shawnee, Oklahoma, USA

1.800.654.3872

centralplastics.com

Experts in quality



Custom designed products for the piping industry

You need it, we'll build it.

Bring us a problem to be solved, or just an idea and we'll create a custom fitting to your specific requirements. Steel to steel or transition fittings from steel to HDPE or other plastics in sizes up to 24 IPS, Georg Fischer Central Plastics has the capabilities to custom engineer and fabricate a durable, seamless, leak-free system.

All of our custom fittings are designed using 3D engineering software and are fabricated to meet the most stringent industry codes and standards.

Let us build your custom field fabrications in our state-of-the-art manufacturing facility.

CAPABILITIES INCLUDE

- Custom engineering on 3D software
- Certified welding to ASME Boiler Code and API 1104
- Fusion bonded epoxy and polyester coatings, plus our proprietary epoxy/polyester Dual Coat System
- Full traceability of all components sold
- Sizes up to 24"

STEEL TO STEEL OR TRANSITION FITTINGS

Water & Waste Water

- Potable Water
- Waste Water

Oil & Gas Gathering

- Oilfield
- Coalbed Methane

Gas Distribution

- Natural Gas
- Propane

Industrial

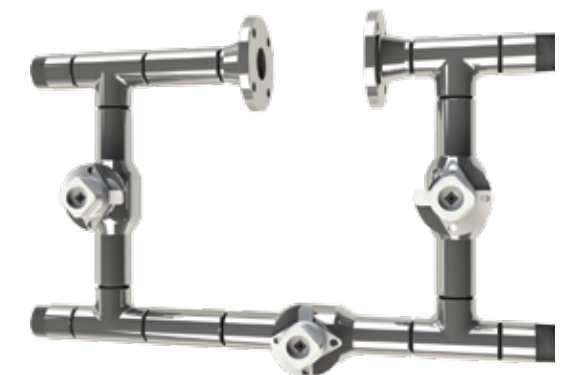
- Mining
- Landfill
- Compressed Air
- Fire Protection



Custom-designed 18" Pipe Spool for a Header System



24" steel to PE transition fittings for a Fire Protection system



4" Custom Steel Meter Set